

(5) This machine is not suit for the person who corporeity weakness, reaction slow or impediment pneuma (include children) use, unless it guide by the person who had safe responsibility and safe use.

(6) Children should be supervised to ensure that they do not play with the appliance.

4. Technical Data:

Voltage : 120 V/60Hz 220V-240V /50Hz/60Hz

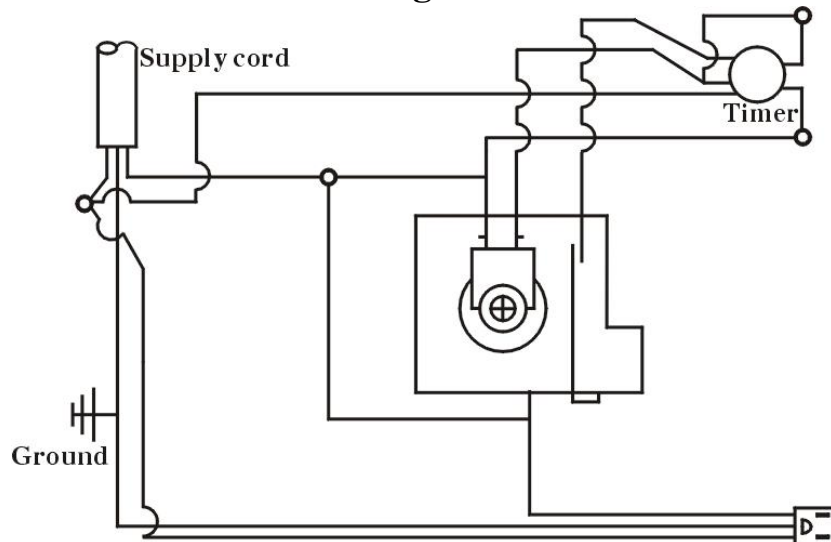
Wattage: 1150W 1200W

Classification of Electronic Equipment: I

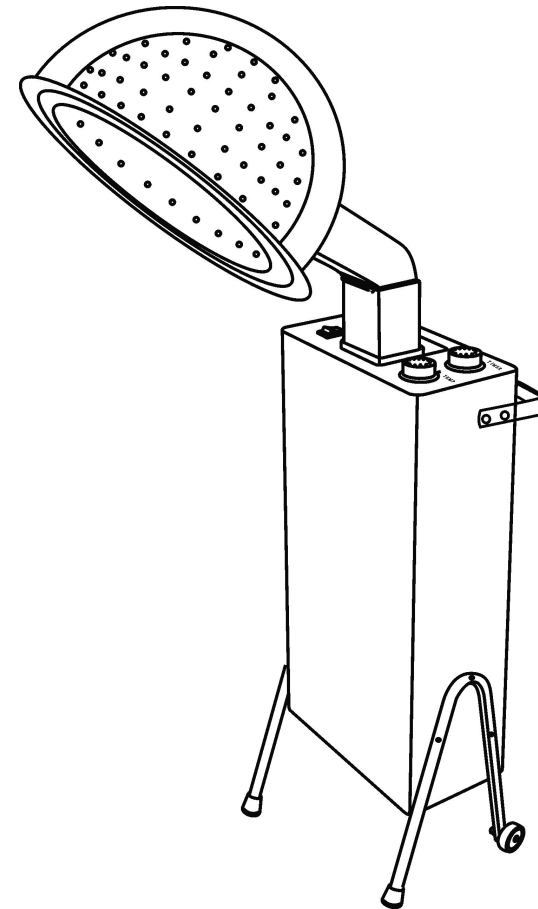
5. Accessories:

- | | |
|---------------------|----------------------------|
| 1. Main Body | 2. Helmet |
| 3. User Instruction | 4. Certificate of Approval |

6. Electrical schematic diagram:



Hair DRYER



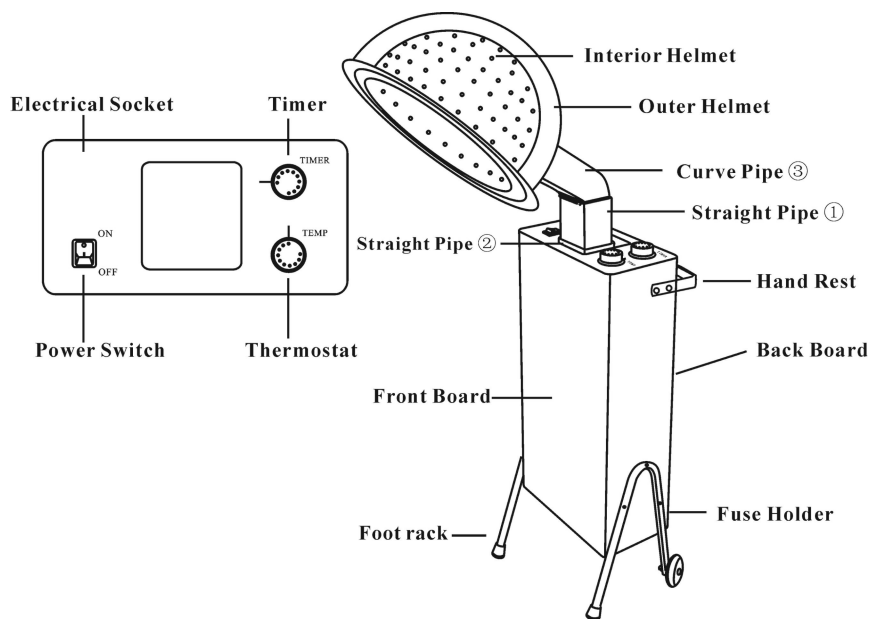
User's Manual

Thanks very much for purchasing our Hair Dryer. Please read carefully our User's Manual prior to use. After fully mastered it, you will see clearly its excellent performance and operational method.

1. Function:

The product allows automatic temperature control, even and soft wind. These contribute to achieve better outcome for warming evening hairstyle and conditioned hair, hair drying and pigmentation care.

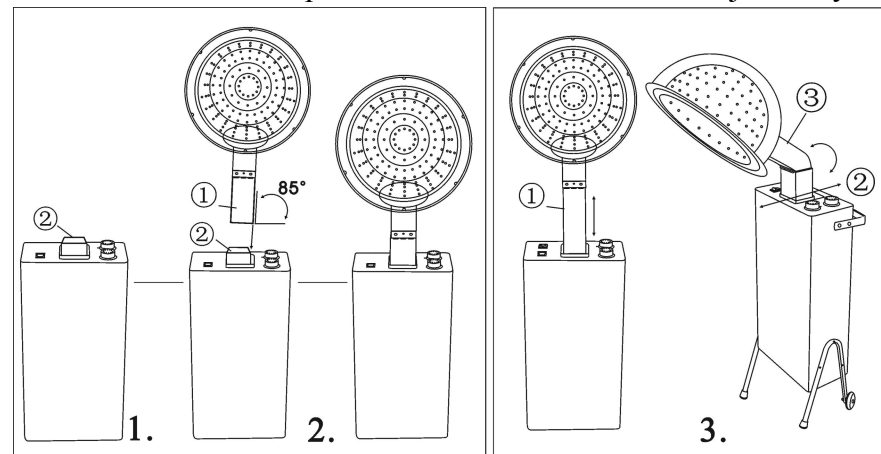
2. Operation:



- (1) Take out the machine and the accessories from the carton.
- (2) Stand the main body on the floor and move the straight pipe ② to the side of the main body, then turn pipe ① at an angle of 85° and insert it into the straight pipe. Lastly, insert the helmet in the main body.

(3) Finish Installing

- (1). Straight Pipe ① can be adjusted the height.
- (2). Straight Pipe ② can be moved to the front or back.
- (3). Curve Pipe ③ can be adjusted to the fronted position.
- (4) Please check the local voltage if match the voltage of the appliance before use the unit. Connect the appliance to the electricity supply. Turn the timer switch and turn on the power switch. The temperature of the machine is normal temperature to 70°C and it can be adjusted by user.



3. Note:

- (1) Avoid the appliance working in a condition of sunshine, high temperature and humidity.
- (2) Avoid the appliance close to the inflammable items.
- (3) The unit has been tested and inspected strictly before selling, and it has a complete of safety circuits. If you found the unit failure or the power cord failure when the appliance is working, please repair the unit with the same parts by a professional electrician.
- (4) The user must use the appliance in a correct way according to the instruction. Our company will not take a responsibility for the unit failure or cause other problem if the client uses the appliance out of the intrusions.